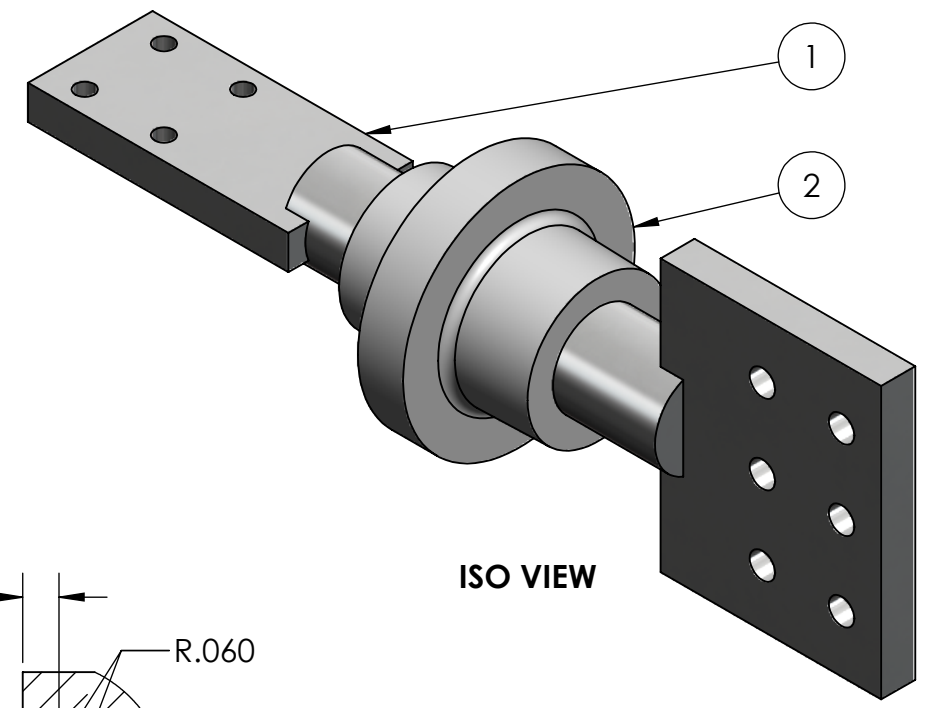
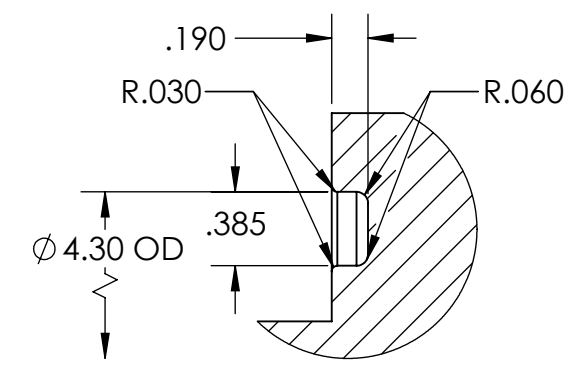
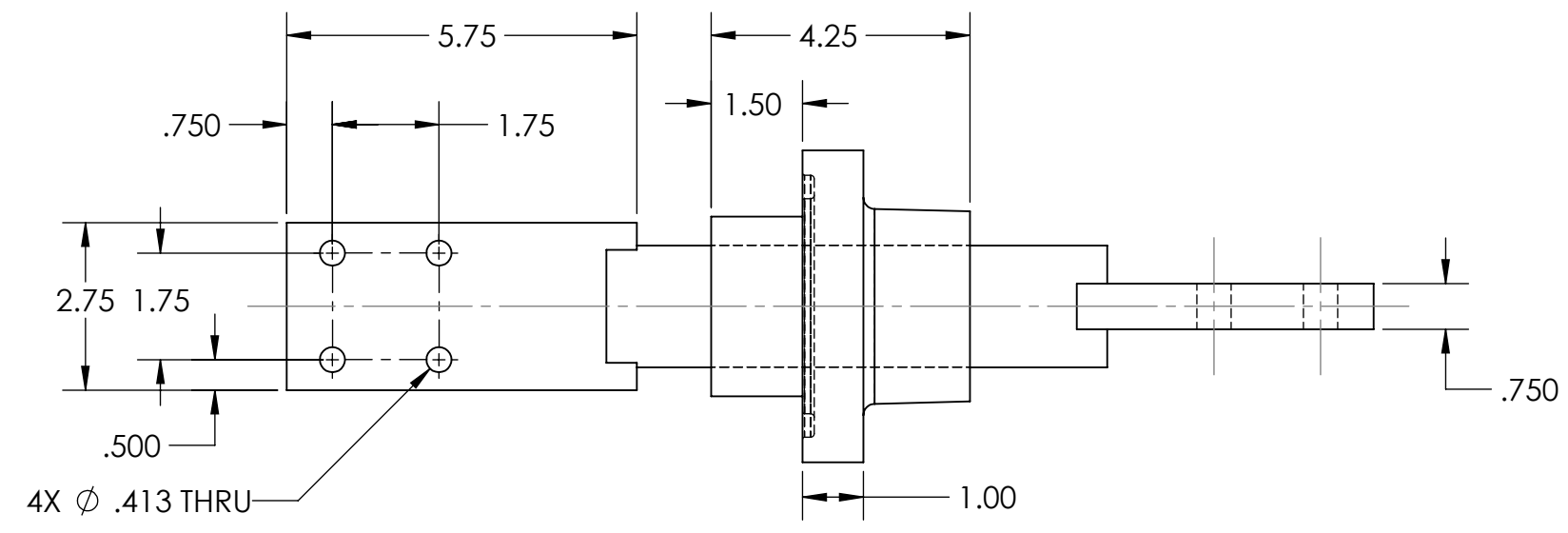


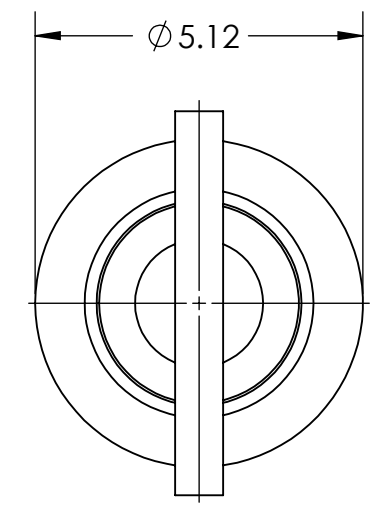
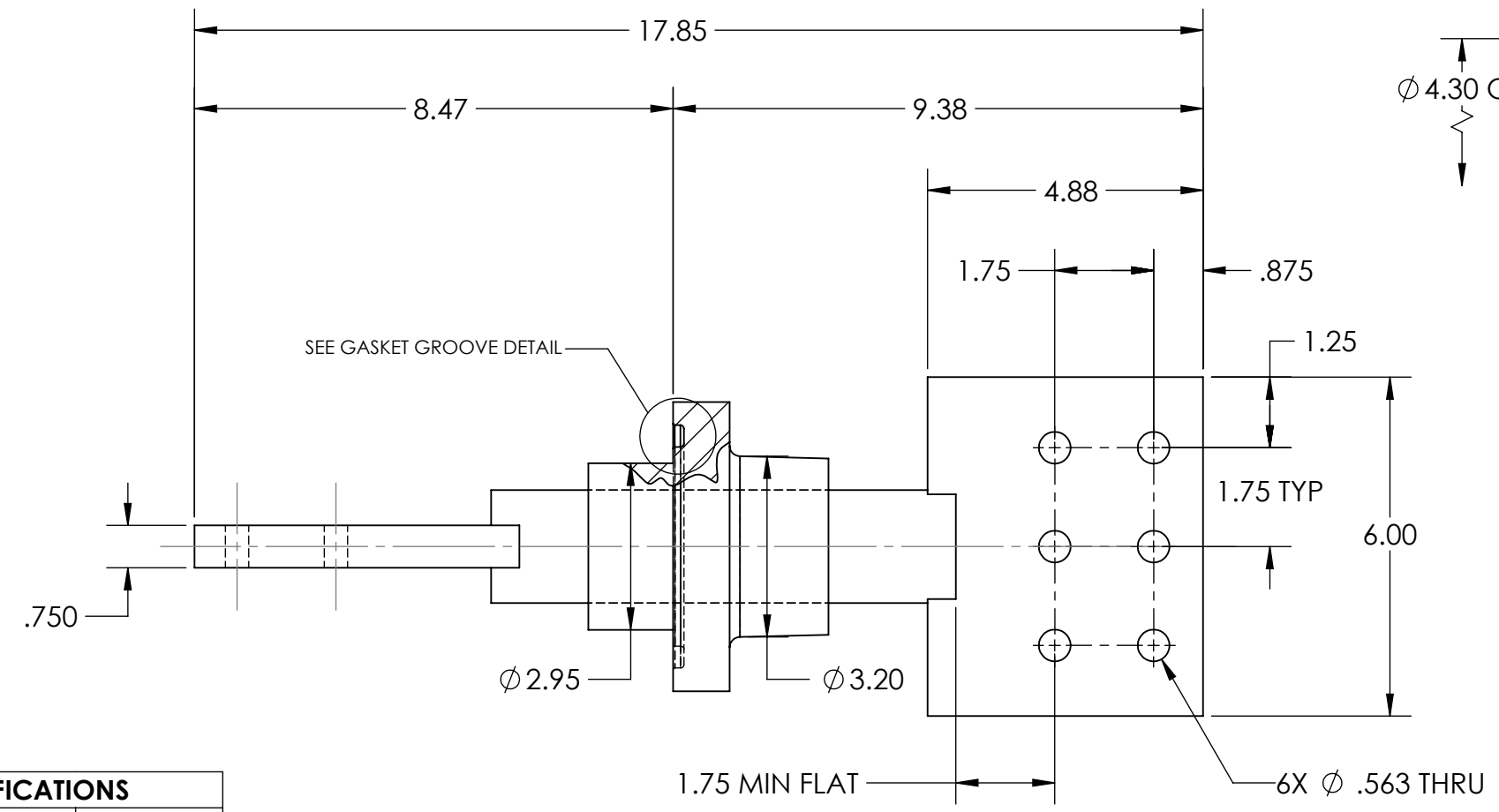
ITEM NO.	PART NUMBER	DESCRIPTION	QTY.
1	CU-463	COPPER CONDUCTOR	1
2	90-433	INDOOR EPOXY	1



ISO VIEW



GASKET GROOVE DETAIL



SPECIFICATIONS	
CURRENT RATE	4515 A
VOLTAGE CLASS	1.2 kV
B.I.L.	45 kV
TANK OPENING	3.06" MIN
PLATING	TIN
GASKET	AC86-244

UNLESS OTHERWISE SPECIFIED:
 DIMENSIONS ARE IN INCHES
 TOLERANCES:
 ANGULAR: ±0.5°
 TWO PLACE DECIMAL ±0.05
 THREE PLACE DECIMAL ±0.005
 THIRD ANGLE PROJECTION

CROSSLINK TECHNOLOGY INC.

TITLE: **LV BUSHING**

SIZE **B** DWG. NO. **90-433** REV **1**

SCALE: 1:3 DATE: 18AUG2023 BY: R.W APPD: A.S SHEET 2 OF 2