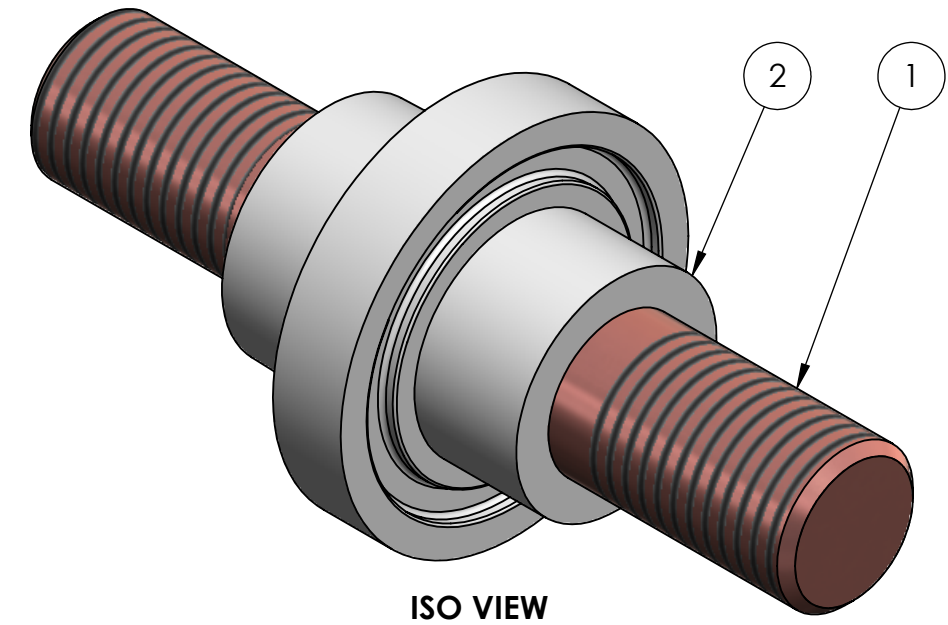
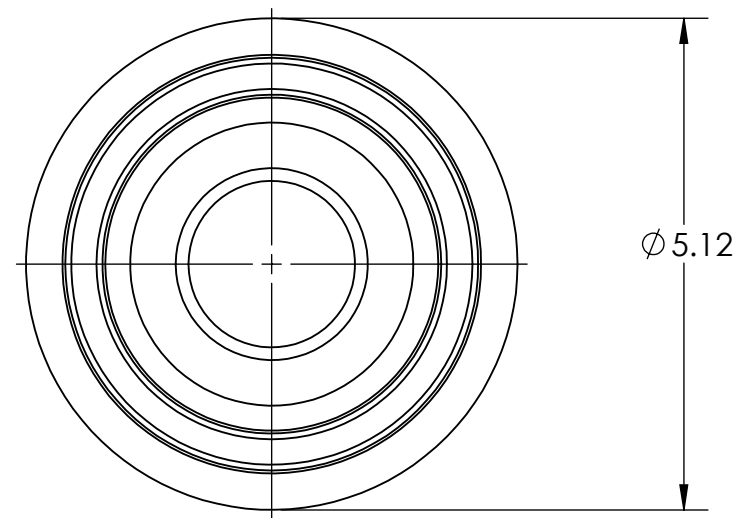


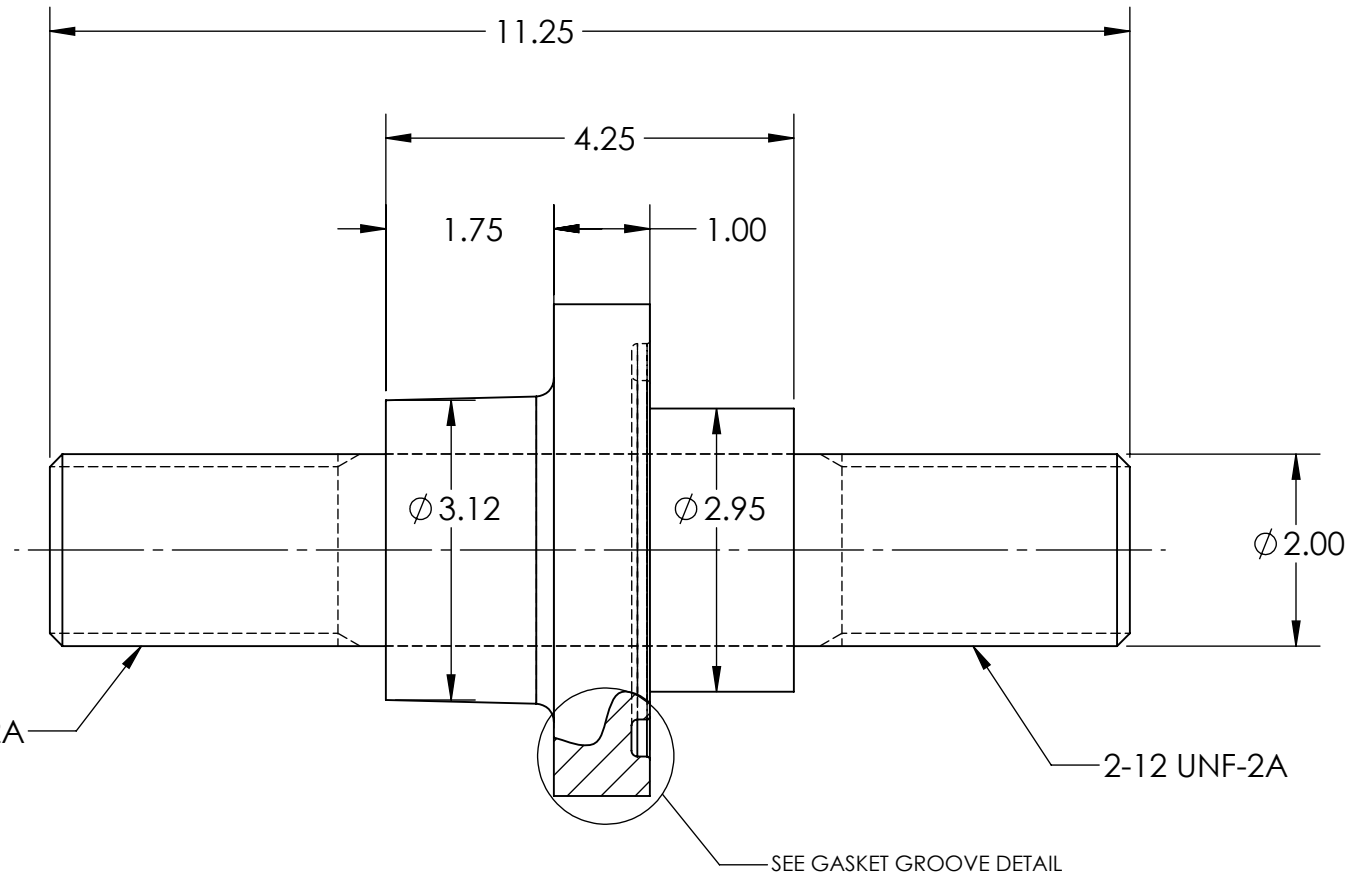
ITEM NO.	PART NUMBER	DESCRIPTION	QTY.
1	CU-444	COPPER CONDUCTOR	1
2	90-420	INDOOR EPOXY	1



ISO VIEW



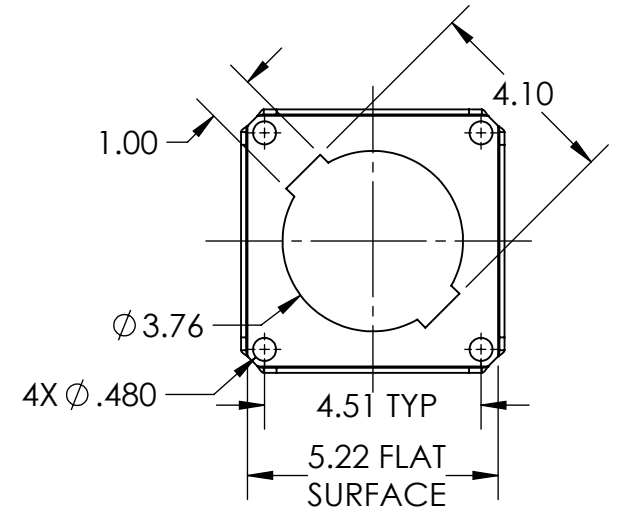
Ø 5.12



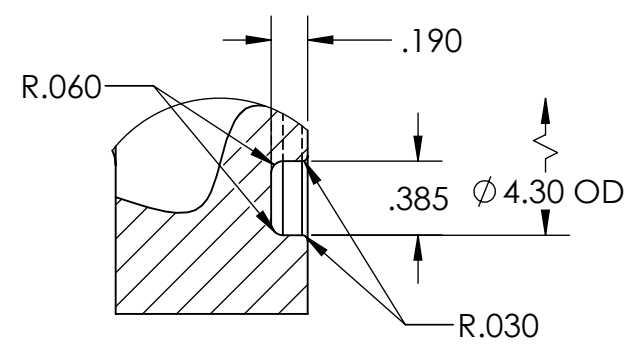
2-12 UNF-2A

2-12 UNF-2A

SEE GASKET GROOVE DETAIL



MOUNTING PLATE(MP-124)



GASKET GROOVE DETAIL

SPECIFICATIONS	
CURRENT RATE	4515 A
VOLTAGE CLASS	2.5 kV
B.I.L.	45 kV
TANK OPENING	3.06" MIN
PLATING	TIN
GASKET	AC86-244
MOUNTING PLATE	MP-124

UNLESS OTHERWISE SPECIFIED:
 DIMENSIONS ARE IN INCHES
 TOLERANCES:
 ANGULAR: ±0.5°
 TWO PLACE DECIMAL ±0.05
 THREE PLACE DECIMAL ±0.005
 THIRD ANGLE PROJECTION

CROSSLINK TECHNOLOGY INC.

TITLE: **LV BUSHING**

SIZE **B** DWG. NO. **90-420** REV **2**

DATE: 27JUL2023 BY: R.W APPD: A.S SCALE: 1:2 SHEET 2 OF 2