

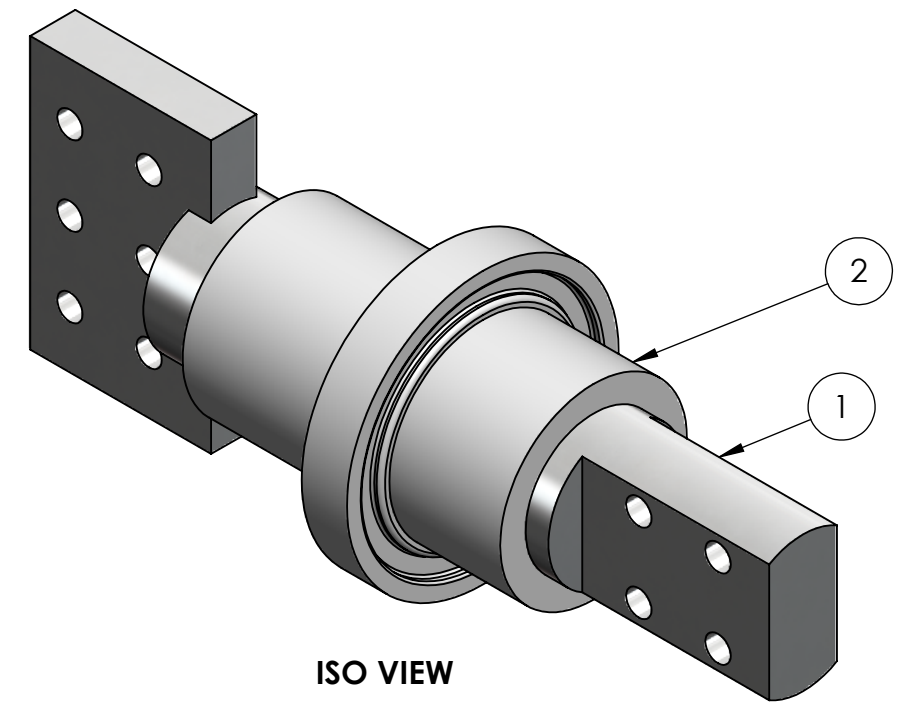
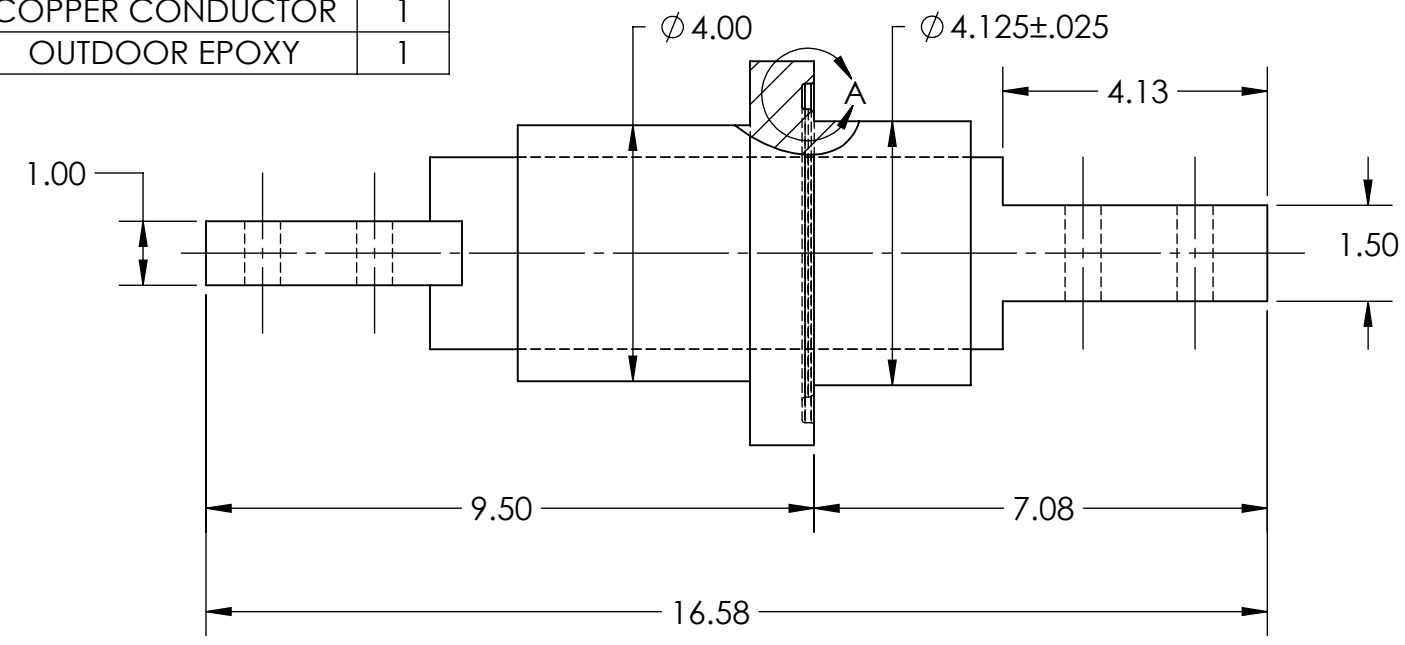
4

3

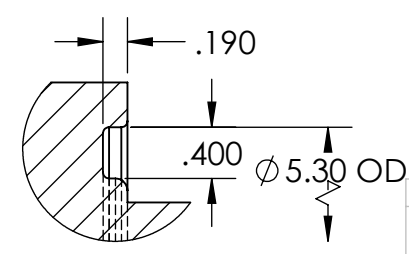
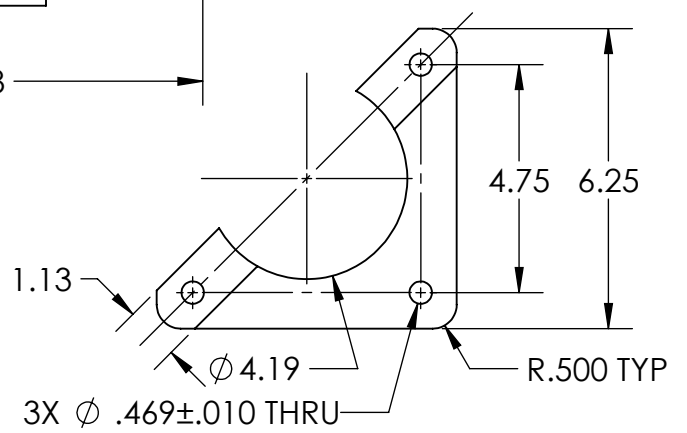
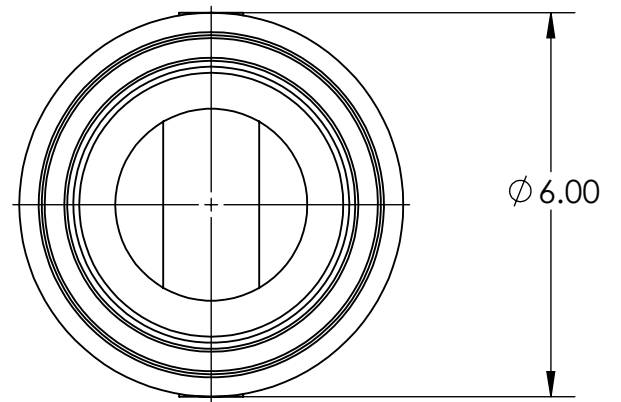
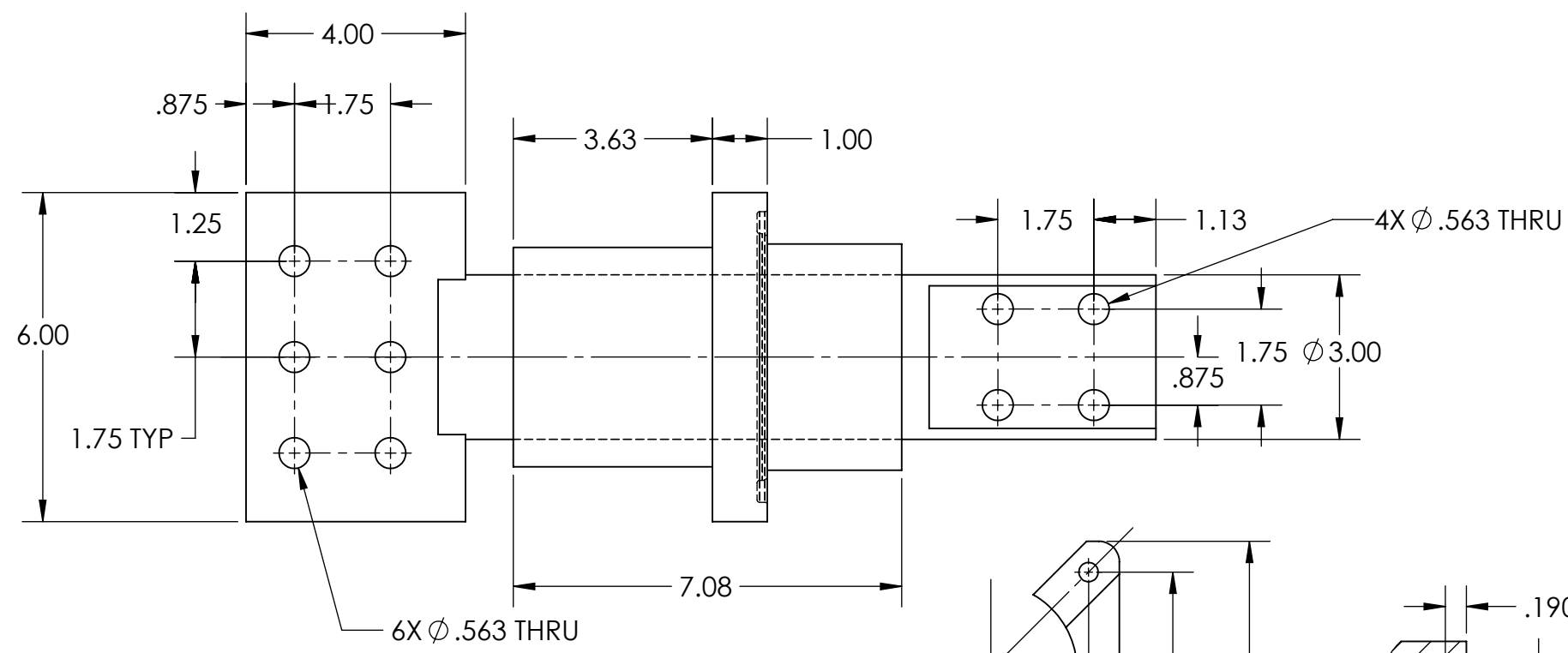
2

1

ITEM NO.	PART NUMBER	DESCRIPTION	QTY.
1	CU-437	COPPER CONDUCTOR	1
2	90-413	OUTDOOR EPOXY	1



ISO VIEW



DETAIL A SCALE 2 : 3

2 PCS MOUNTING PLATE(MP-128)

B

B

A

A

SPECIFICATIONS	
CURRENT RATE	5000 A
VOLTAGE CLASS	2.5 kV
B.I.L.	45 kV
TANK OPENING	4.18" MIN
PLATING	TIN
GASKET	AC86-265
MOUNTING PLATE	MP-128

UNLESS OTHERWISE SPECIFIED:
 DIMENSIONS ARE IN INCHES
 TOLERANCES:
 ANGULAR: ±0.5°
 TWO PLACE DECIMAL ±0.05
 THREE PLACE DECIMAL ±0.005
 THIRD ANGLE PROJECTION

CROSSLINK TECHNOLOGY INC.

TITLE: **LV BUSHING**

SIZE **B** DWG. NO. **90-413** REV **1**

DATE: 21AUG2023 BY: R.W APPD: A.S SCALE: 1:3 SHEET 2 OF 2

4

3

2

1