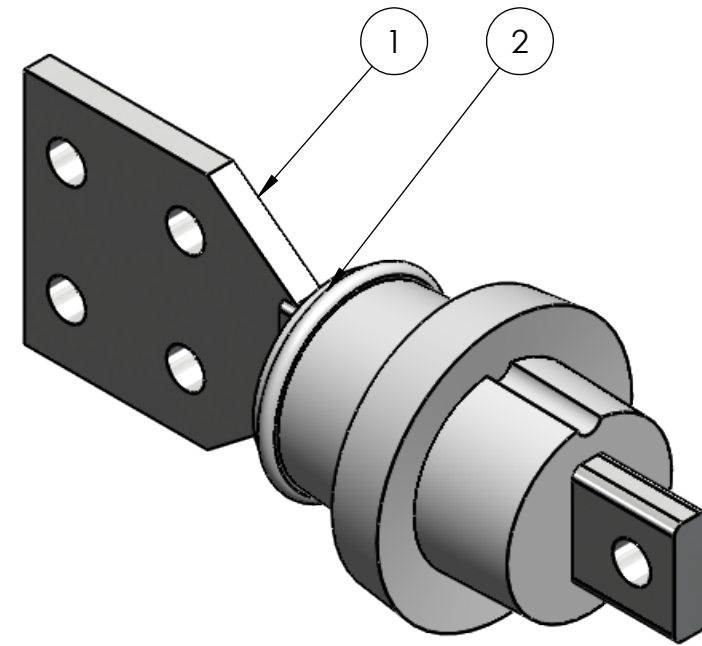
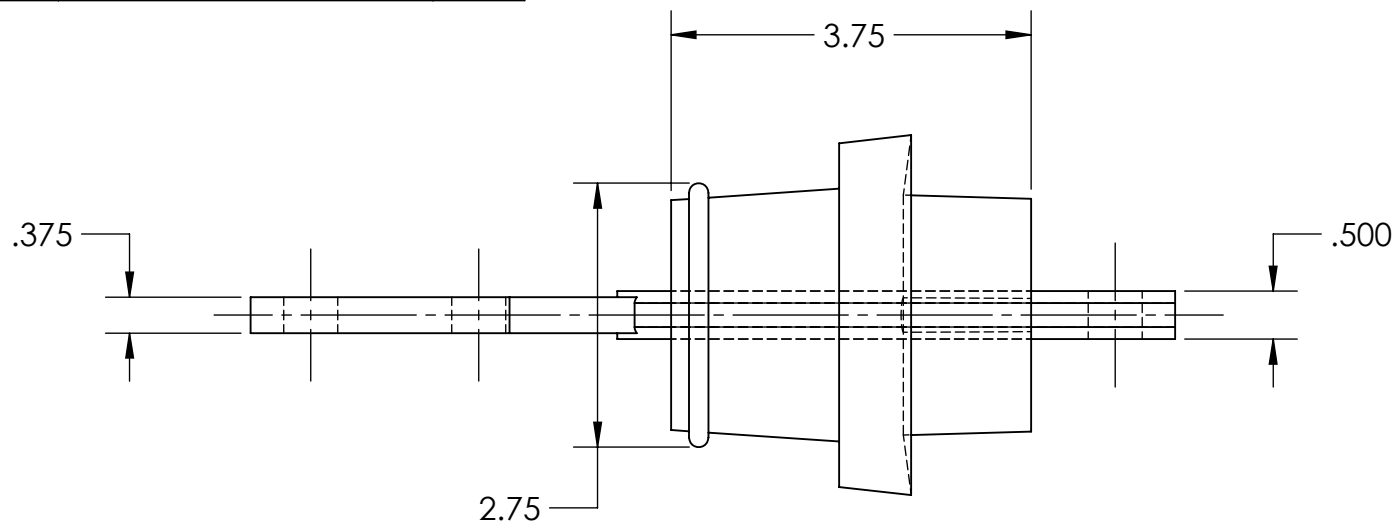
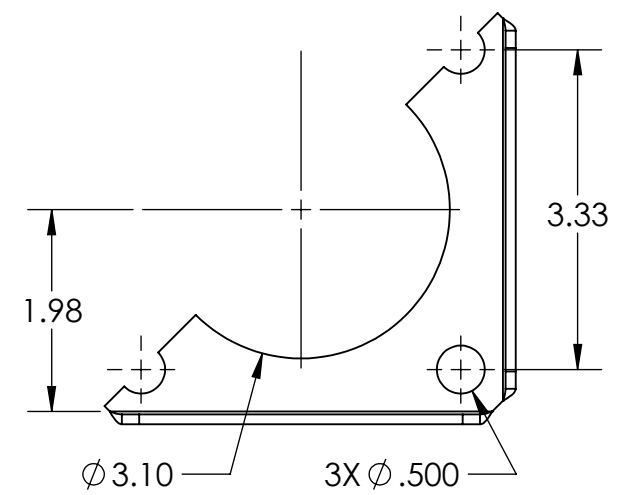
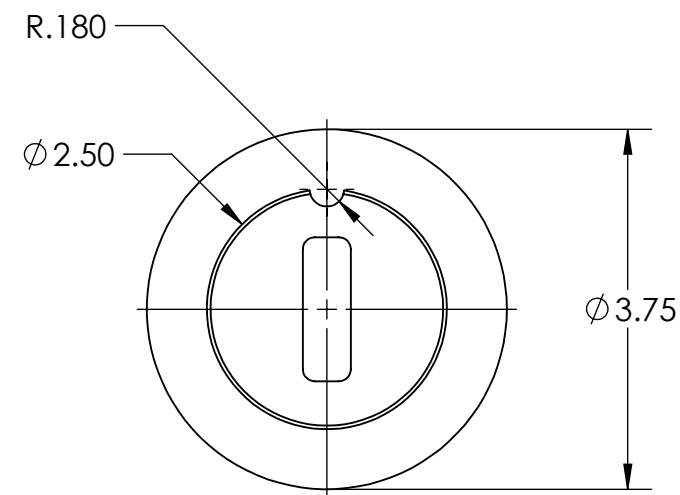
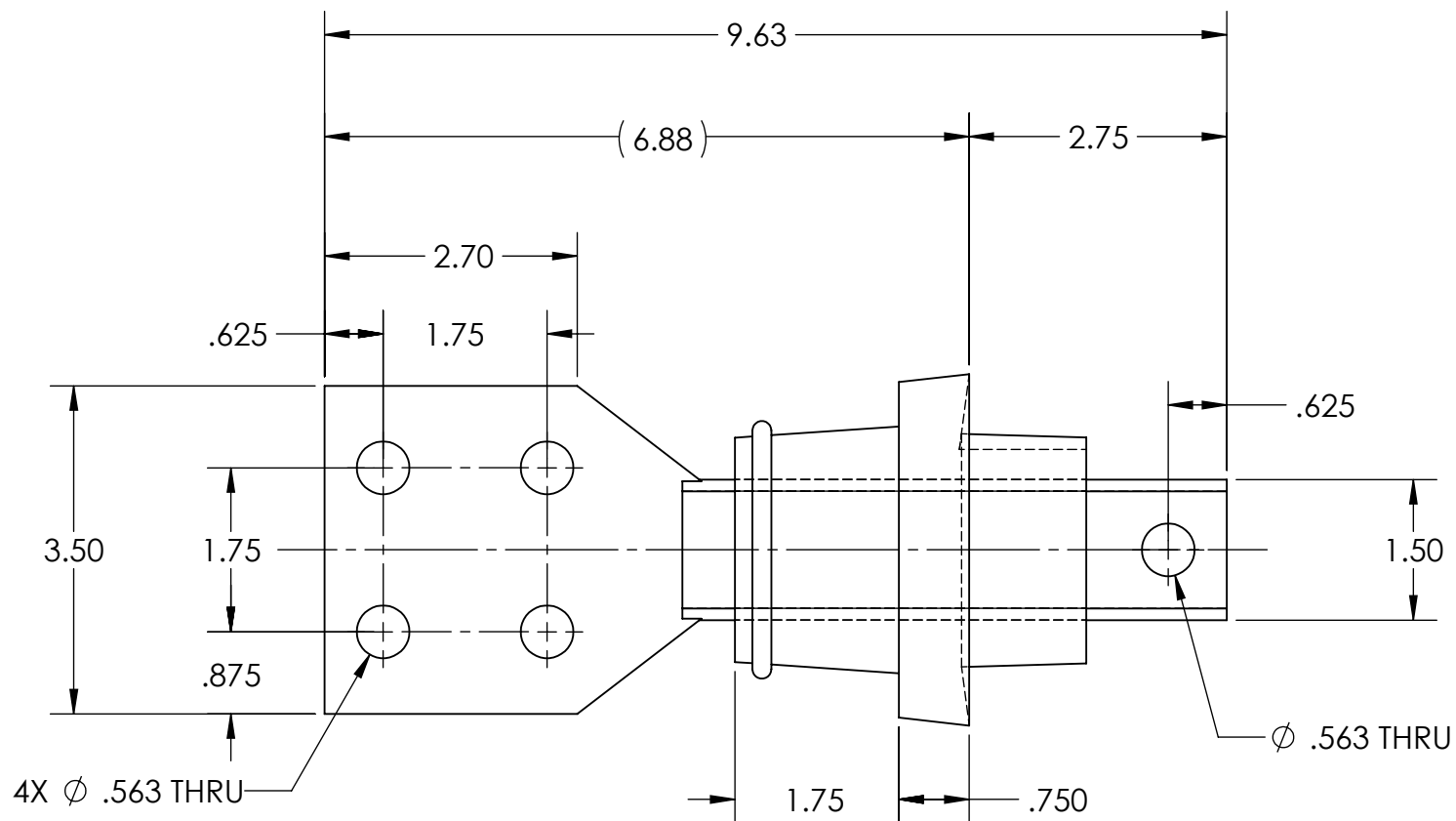


ITEM NO.	PART NUMBER	DESCRIPTION	QTY.
1	CU-406	COPPER CONDUCTOR	1
2	90-375	INDOOR EPOXY	1



ISO VIEW



MOUNTING PLATE(MP-102)

SPECIFICATIONS

CURRENT RATE	1000 A
VOLTAGE CLASS	1.2 kV
B.I.L.	30/45 kV *
TANK OPENING	2.56" MIN
PLATING	TIN
GASKET	AC86-229
MOUNTING PLATE	MP-102

* NOTE: 1.2kV CLASS BUSHING WILL PASS 45kV B.I.L. DEPENDING ON MOUNTING ARRANGEMENT.

UNLESS OTHERWISE SPECIFIED:
 DIMENSIONS ARE IN INCHES
 TOLERANCES:
 ANGULAR: ±0.5°
 TWO PLACE DECIMAL ±0.05
 THREE PLACE DECIMAL ±0.005
 THIRD ANGLE PROJECTION



PROPRIETARY TECHNICAL
 INFORMATION TO BE MAINTAINED
 IN CONFIDENCE AND NOT
 DISCLOSED TO ANY THIRD PARTY.

CROSSLINK TECHNOLOGY INC.



TITLE: **LV BUSHING**

SIZE **B** DWG. NO. **90-375** REV **2**

DATE: 25JUL2023 BY: R.W APPD: A.S SCALE: 1:2 SHEET 2 OF 2