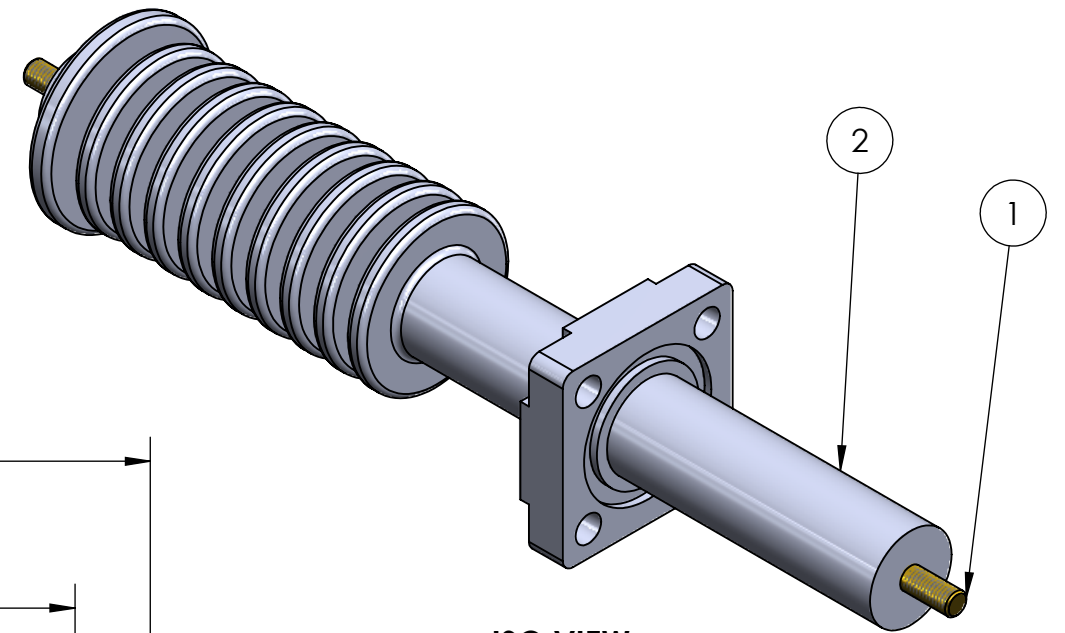
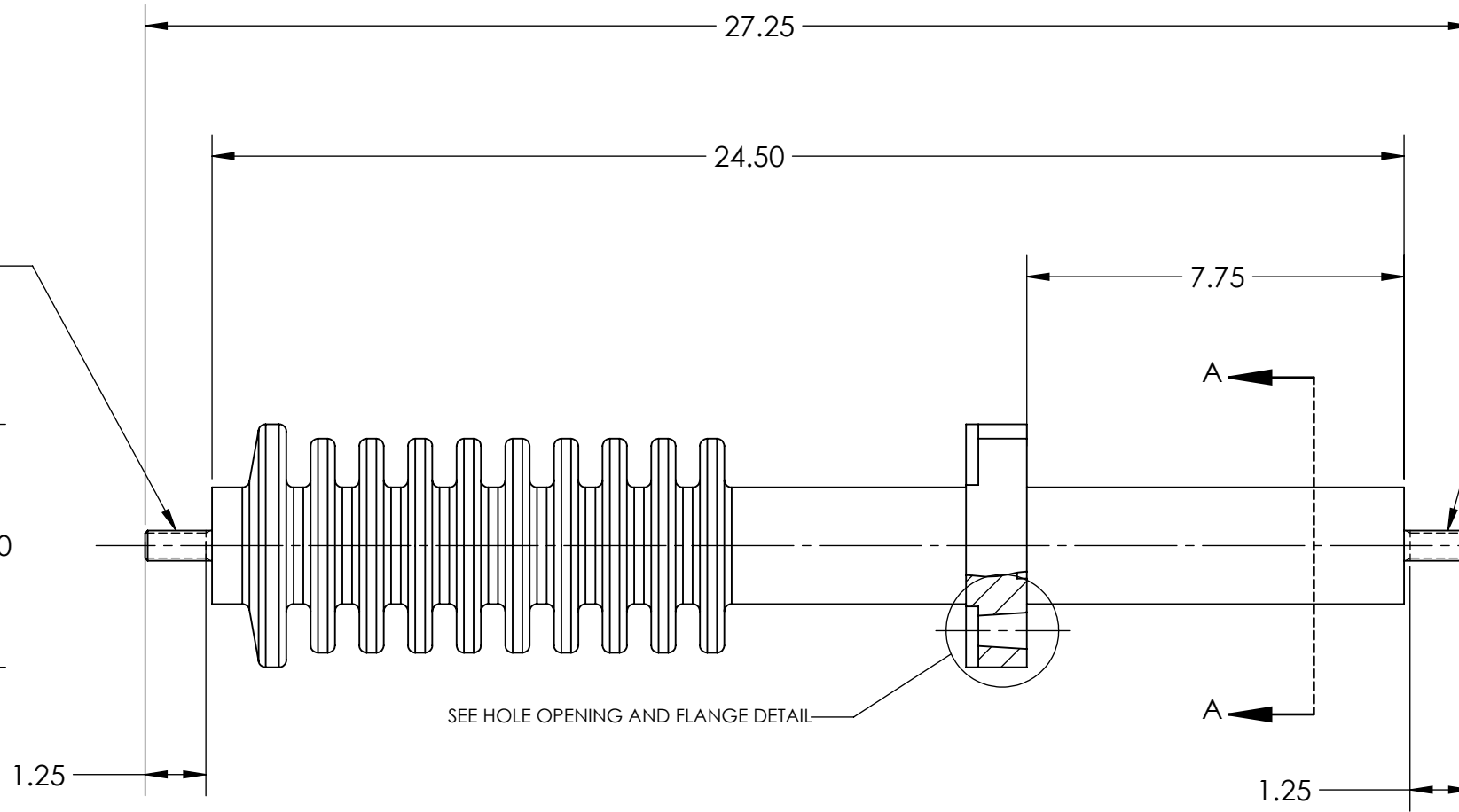
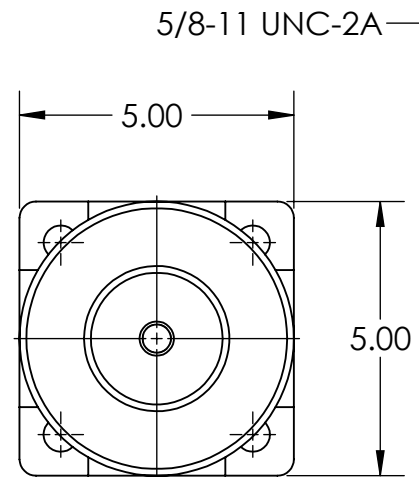


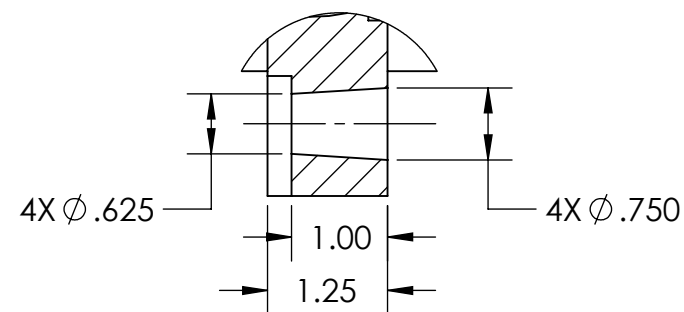
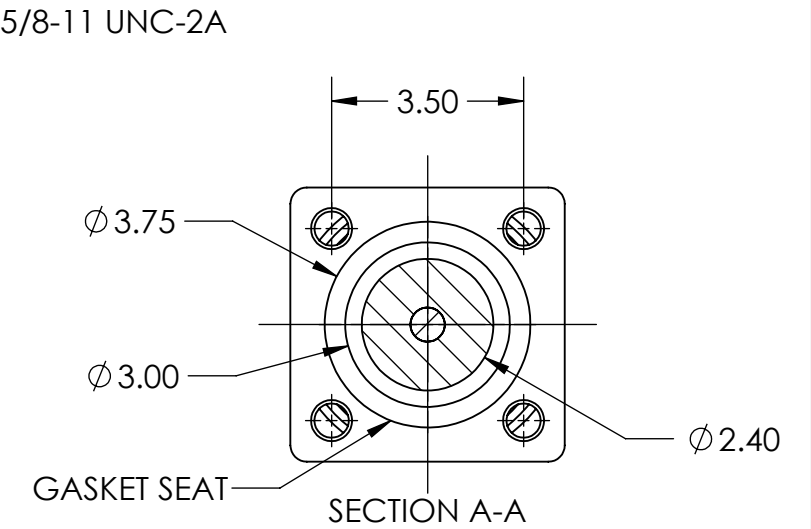
ITEM NO.	PART NUMBER	DESCRIPTION	QTY.
1	BA-278	BRASS CONDUCTOR	1
2	90-340	OUTDOOR EPOXY	1



ISO VIEW



SEE HOLE OPENING AND FLANGE DETAIL



HOLE OPENING AND FLANGE DETAIL

UNLESS OTHERWISE SPECIFIED:
 DIMENSIONS ARE IN INCHES
 TOLERANCES:
 ANGULAR: $\pm 0.5^\circ$
 TWO PLACE DECIMAL ± 0.05
 THREE PLACE DECIMAL ± 0.005
 THIRD ANGLE PROJECTION

CROSSLINK TECHNOLOGY INC.

TITLE: **MEDIUM VOLTAGE BUSHING**

SIZE **B** DWG. NO. **90-340** REV **2**

SCALE: 2:7 SHEET 1 OF 1

SPECIFICATIONS	
CURRENT RATE	300 A
VOLTAGE CLASS	34.5 kV
B.I.L.	150 kV
TANK OPENING	2.56" MIN
GASKET	AC86-263
LEAKAGE DISTANCE	34.00"
ALTITUDE	3000 m