

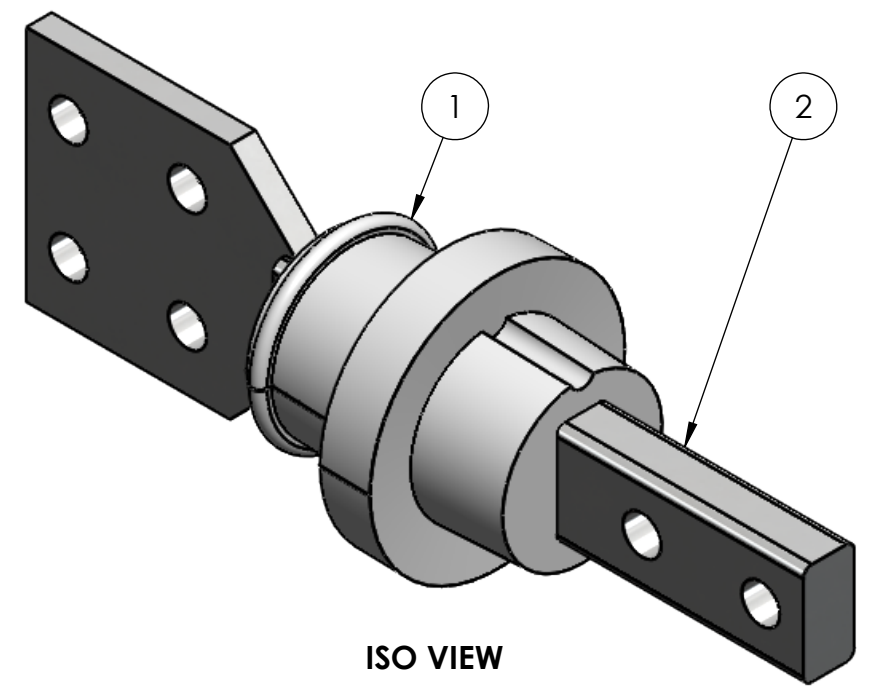
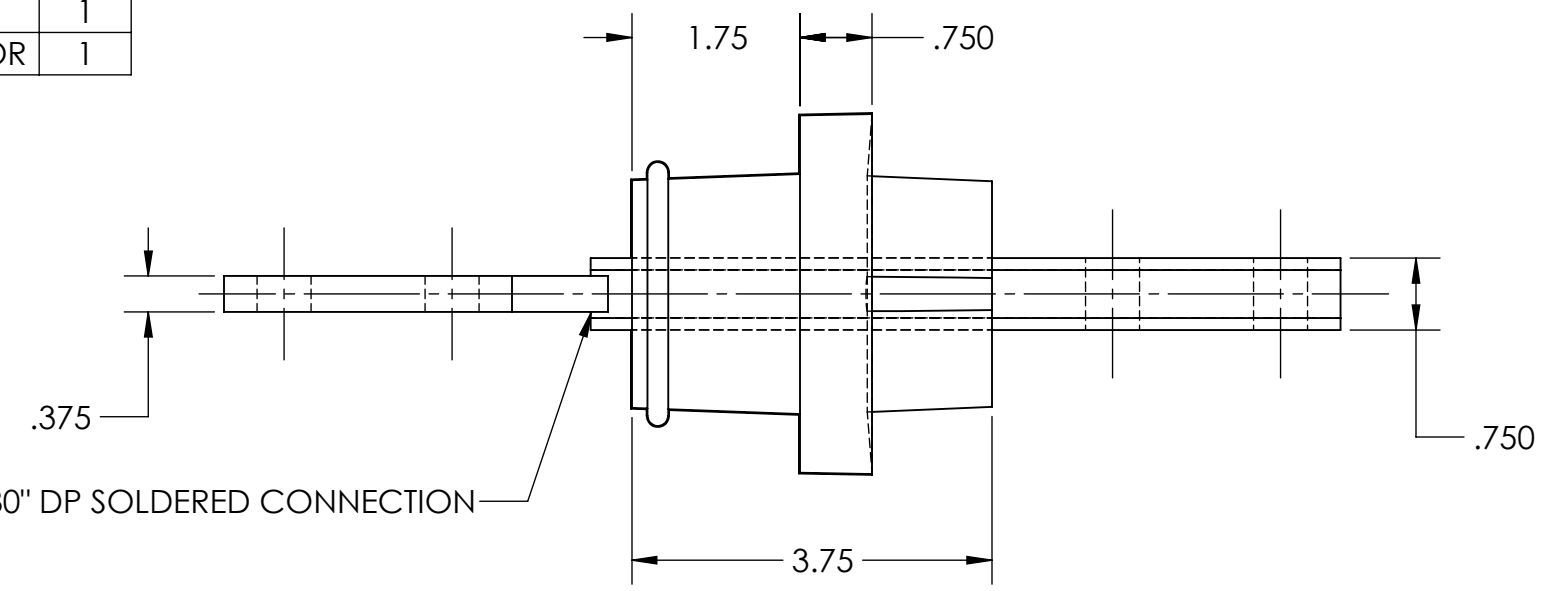
4

3

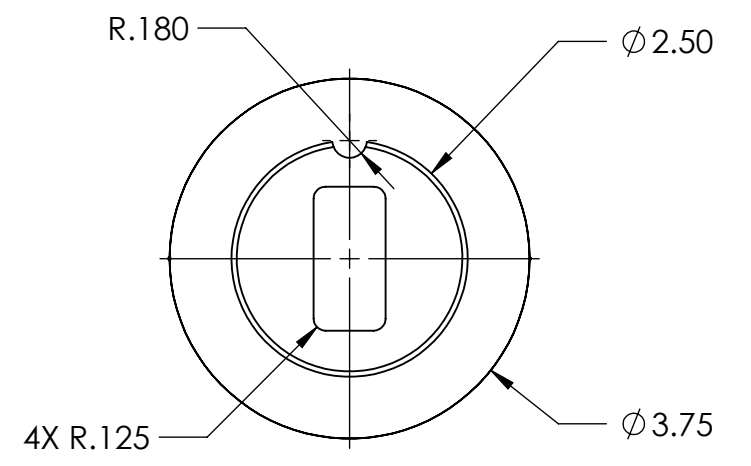
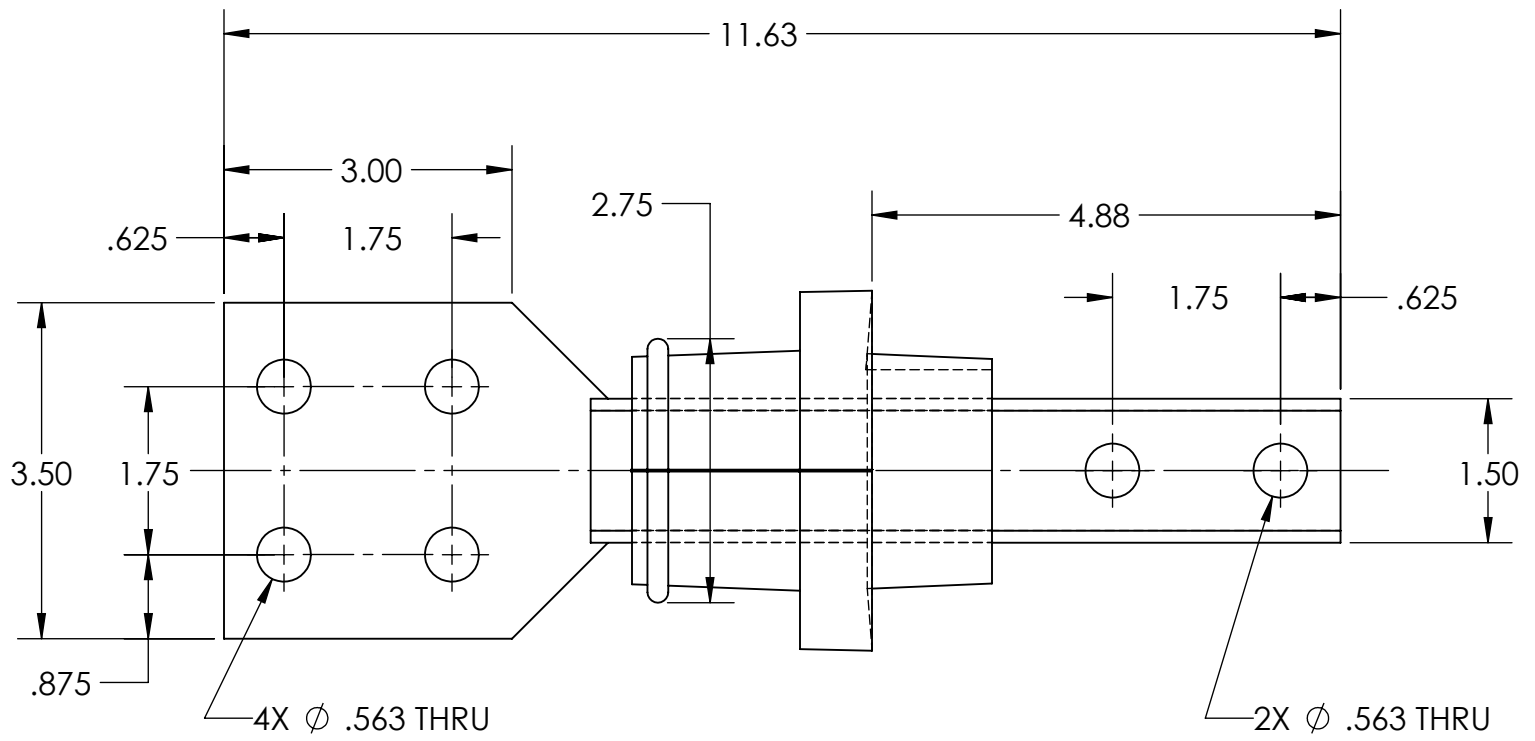
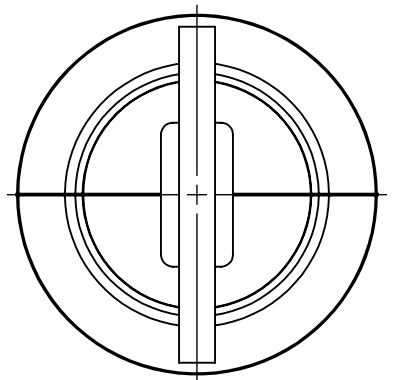
2

1

ITEM NO.	PART NUMBER	DESCRIPTION	QTY.
1	90-265	INDOOR EPOXY	1
2	CU-325	COPPER CONDUCTOR	1



ISO VIEW



B

B

A

A

SPECIFICATIONS	
CURRENT RATE	1000 A
VOLTAGE CLASS	1.2 kV
B.I.L.	45 kV
TANK OPENING	2.56" MIN
PLATING	TIN
GASKET	AC86-223
MOUNTING PLATE	MP-102

UNLESS OTHERWISE SPECIFIED:
 DIMENSIONS ARE IN INCHES
 TOLERANCES:
 ANGULAR: ±0.5°
 TWO PLACE DECIMAL ±0.05
 THREE PLACE DECIMAL ±0.005
 THIRD ANGLE PROJECTION

PROPRIETARY TECHNICAL INFORMATION TO BE MAINTAINED IN CONFIDENCE AND NOT DISCLOSED TO ANY THIRD PARTY.

CROSSLINK TECHNOLOGY INC.

TITLE: **LV BUSHING**

SIZE **B** DWG. NO. **90-265** REV **1**

DATE: 17AUG2023 BY: R.W APPD: A.S SCALE: 1:2 SHEET 2 OF 2

4

3

2

1